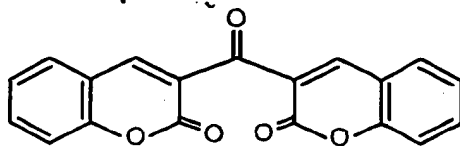
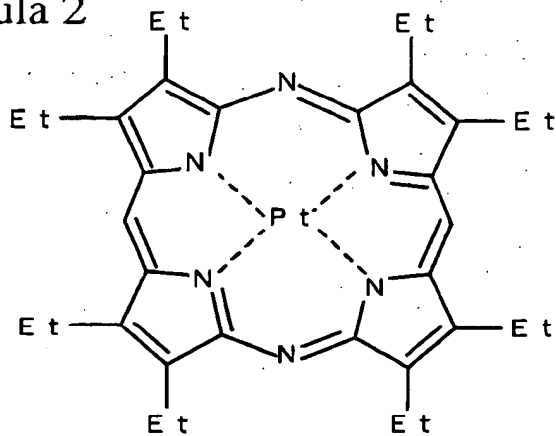


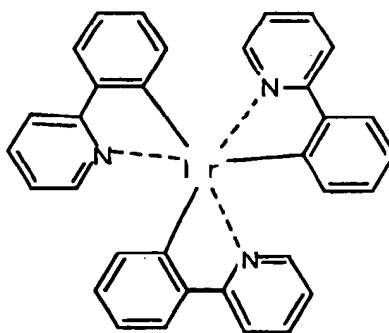
Chemical Formula 1



Chemical Formula 2



Chemical Formula 3



0037405-0494

Fig.1A

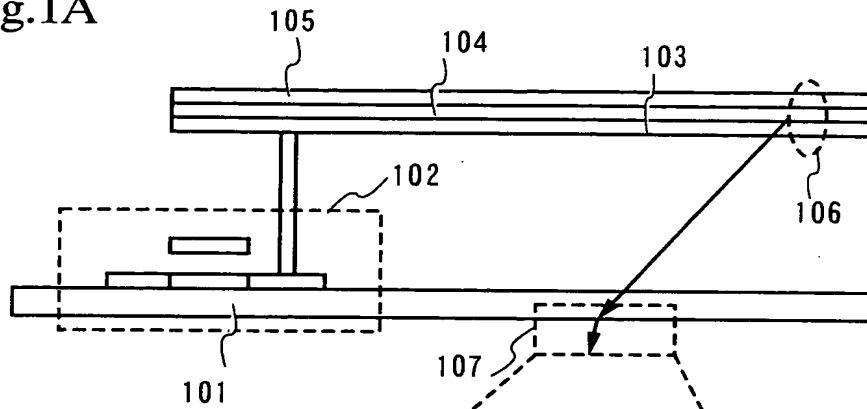


Fig.1B

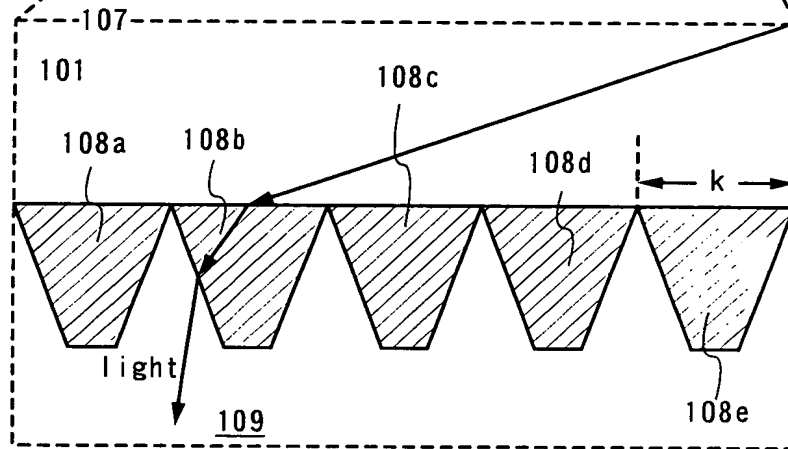


Fig.1C

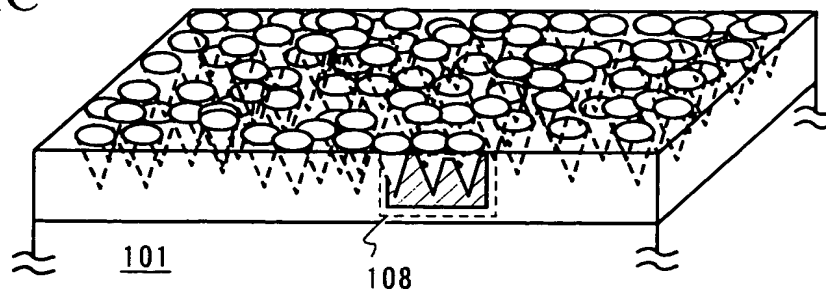
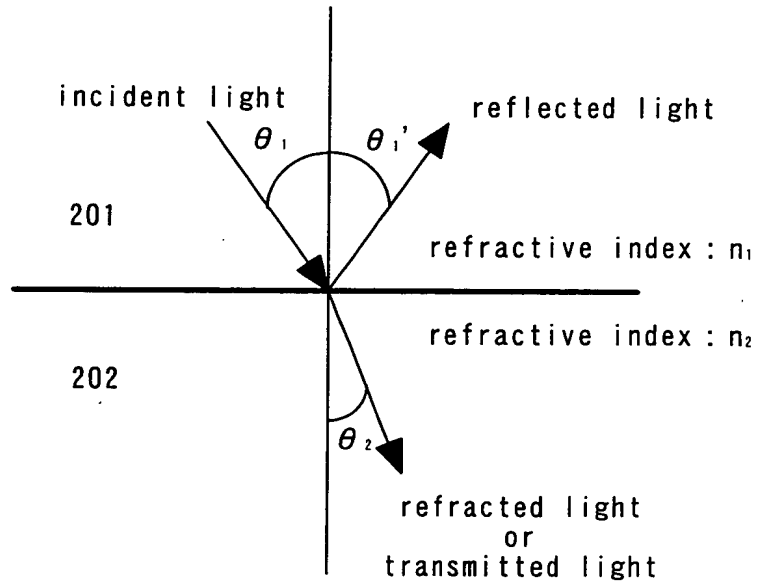


Fig.2



TECHNOLOGICAL

FOR THE "SOT 2560"

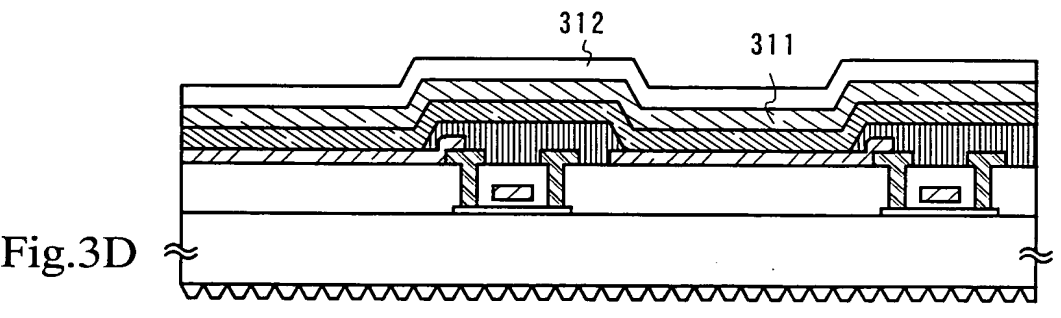
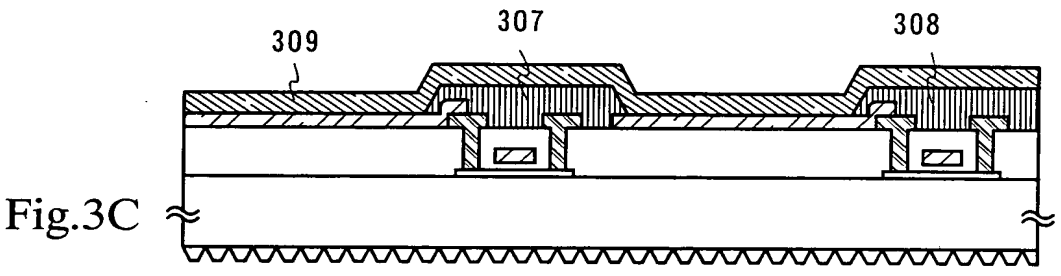
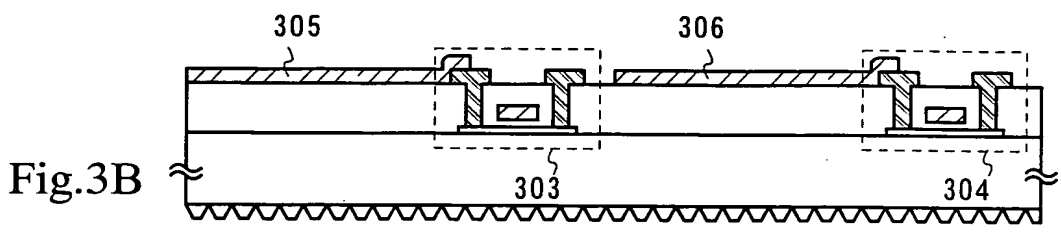
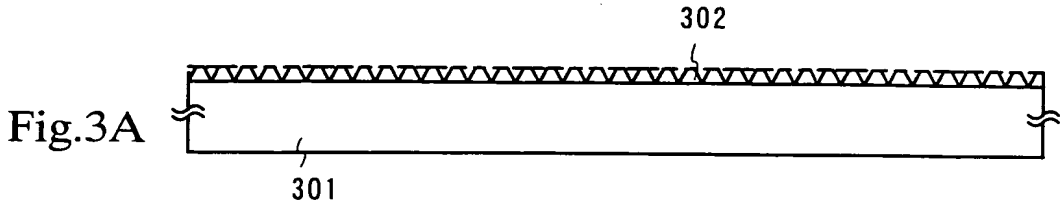


Fig.4A

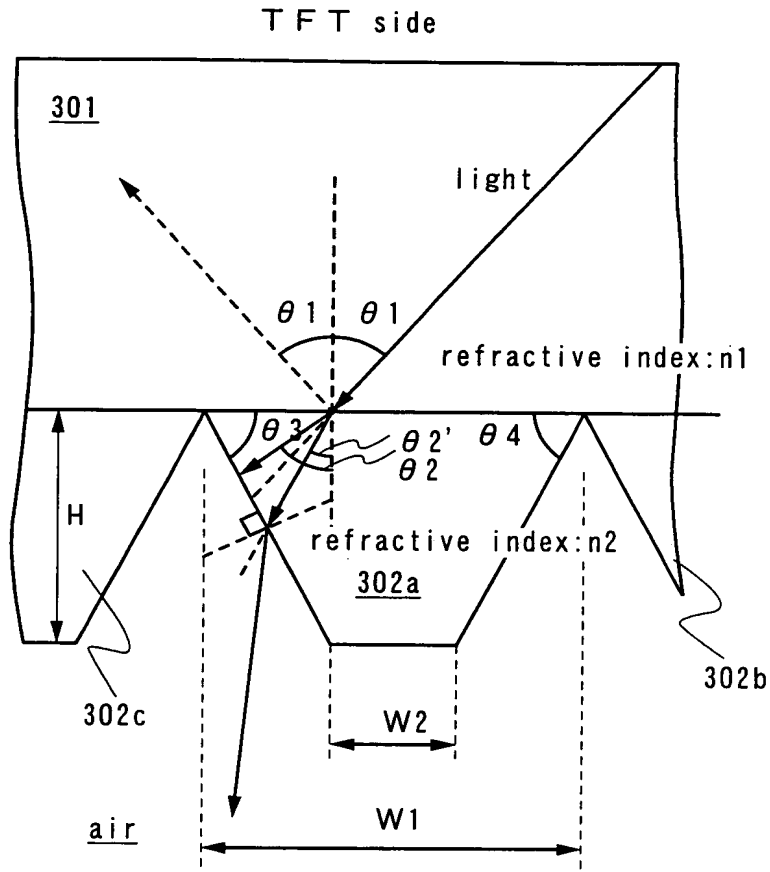


Fig.4B

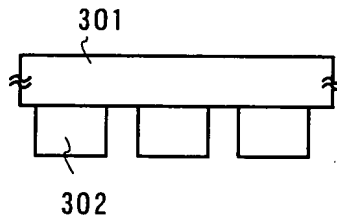


Fig.4E

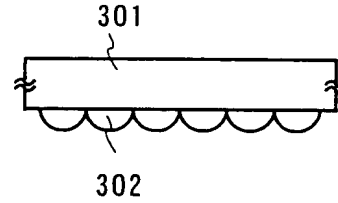


Fig.4C

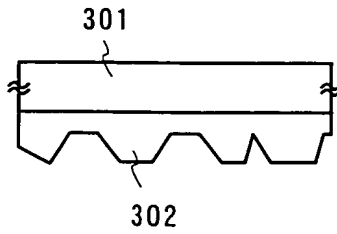


Fig.4F

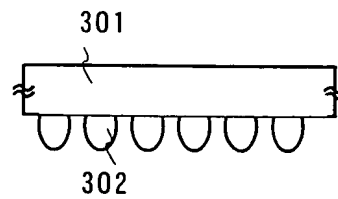


Fig.4D

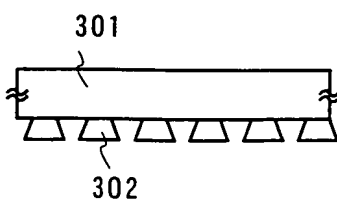
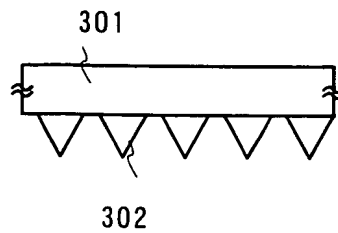
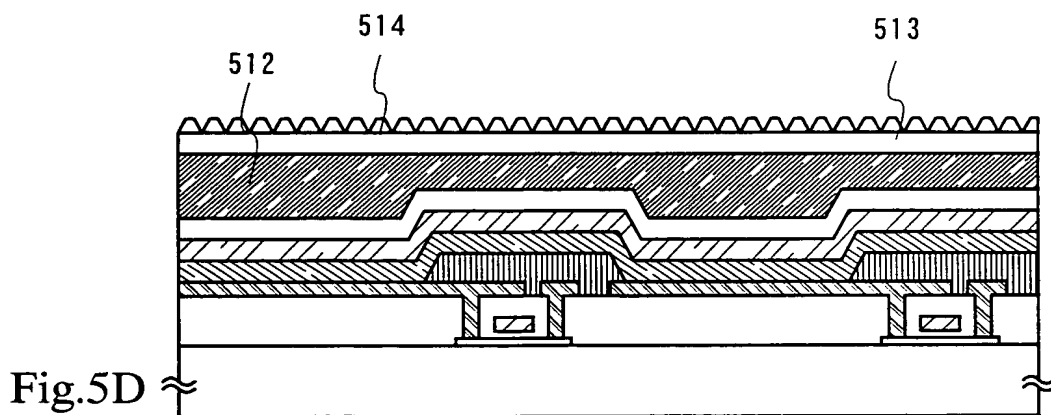
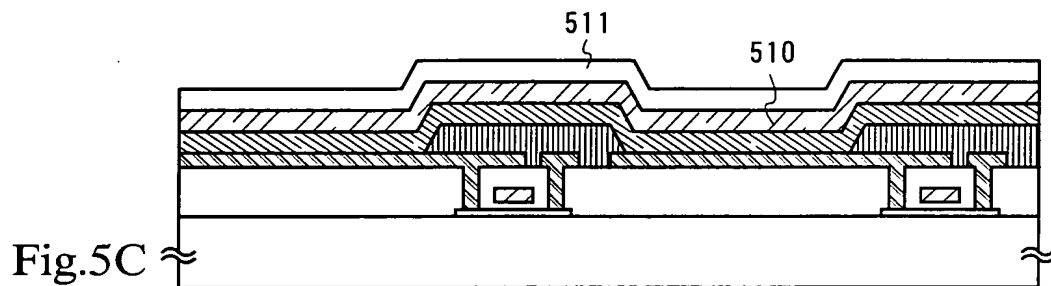
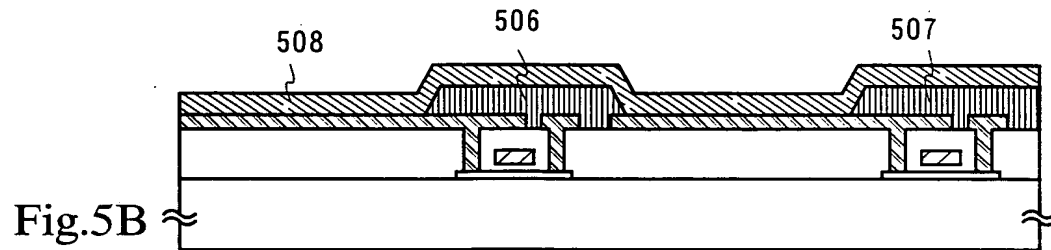
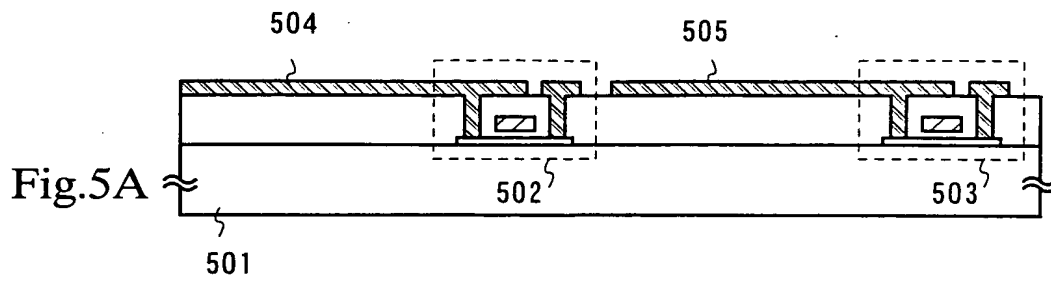


Fig.4G





Patent Application No. 2004-100000

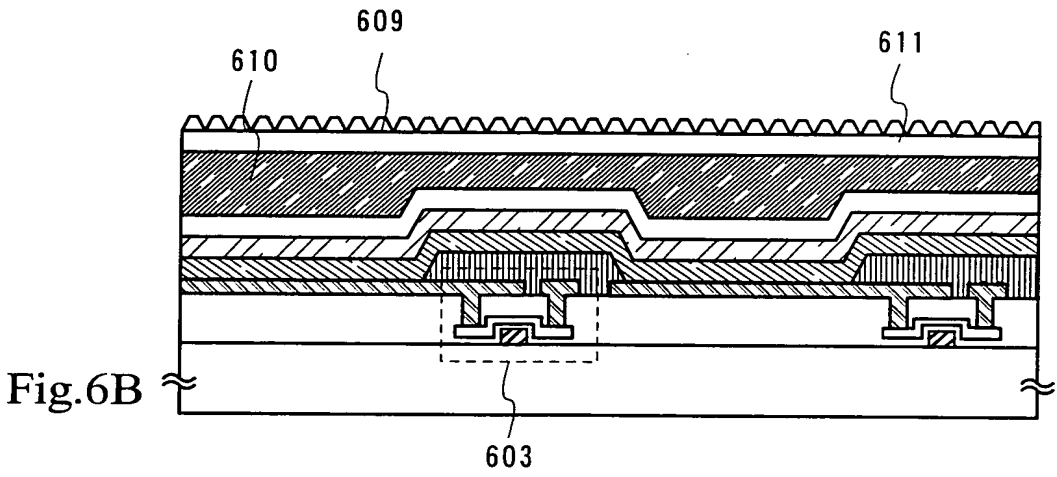
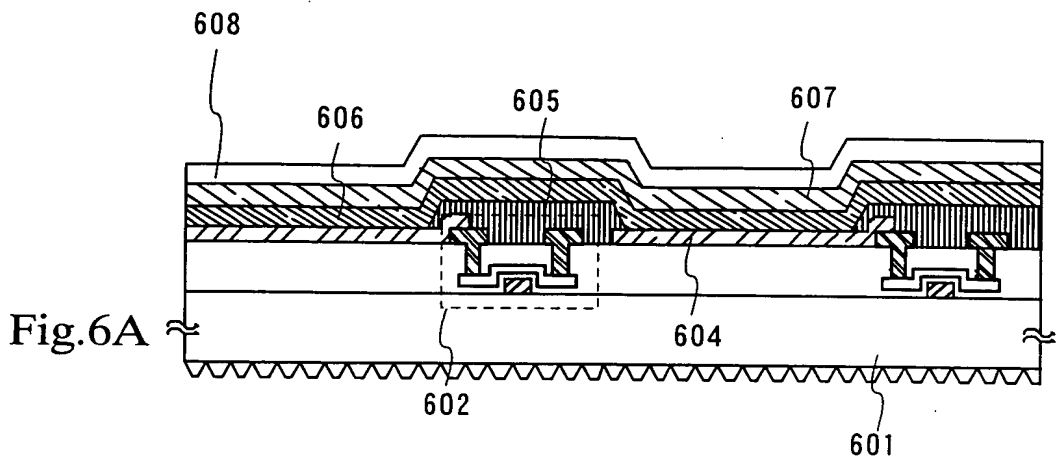


FIG. 6A

FIG. 7A  
FIG. 7B  
FIG. 7C

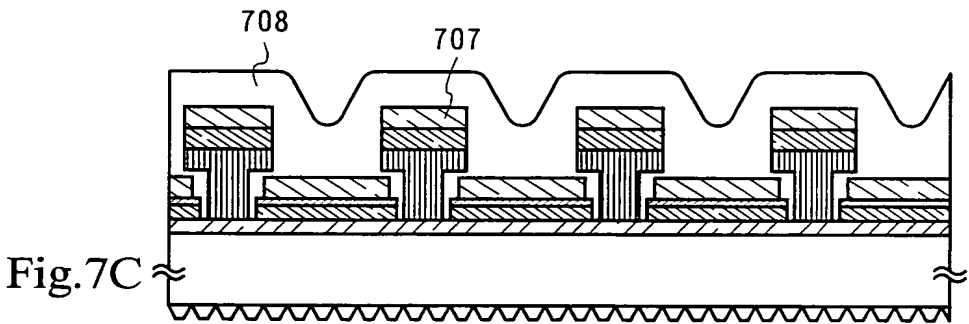
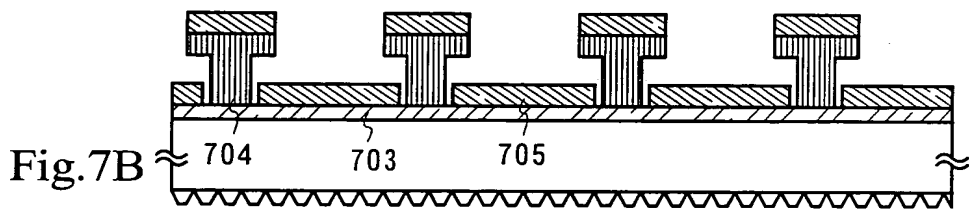
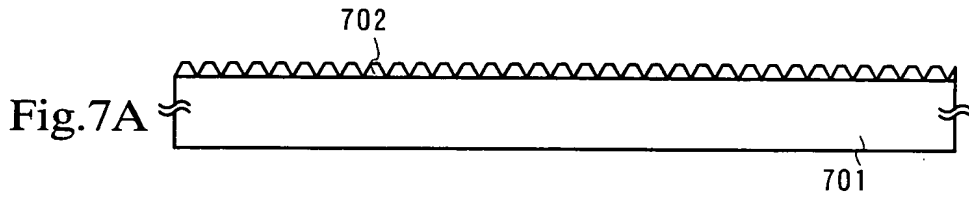




Fig. 8A  
Fig. 8B  
Fig. 8C

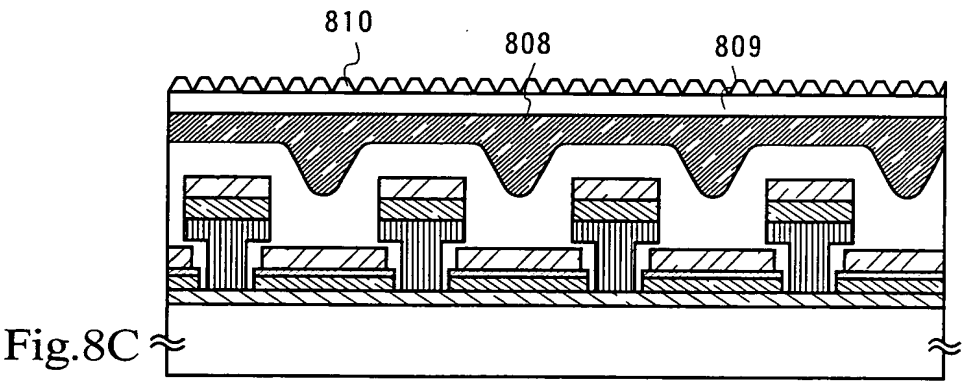
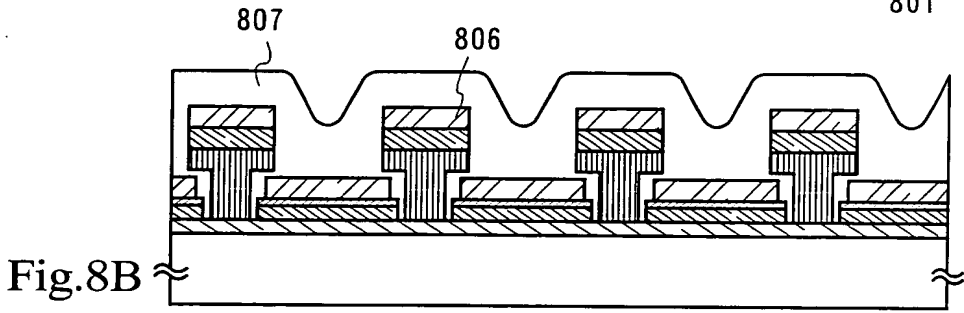
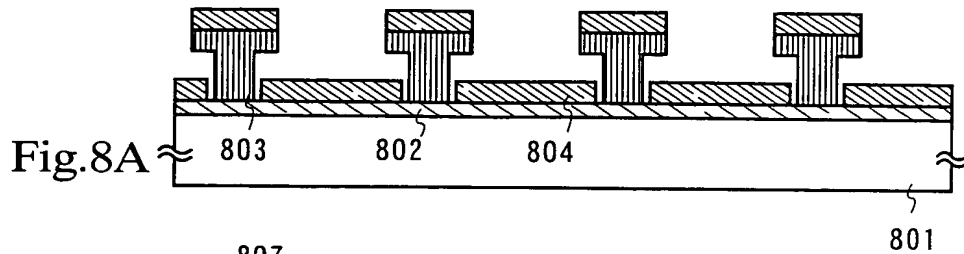


Fig.9A

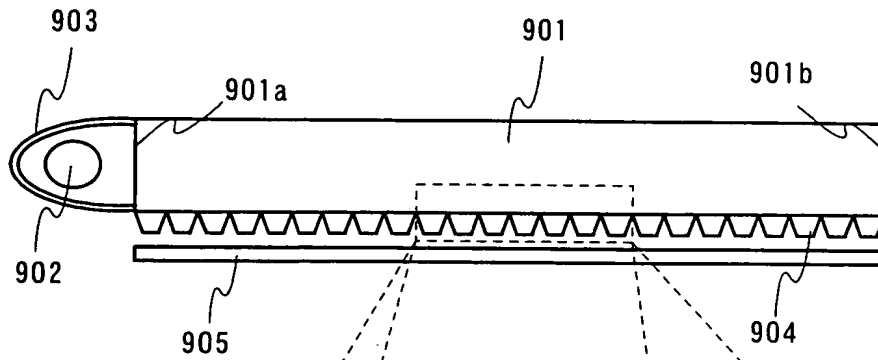


Fig.9B

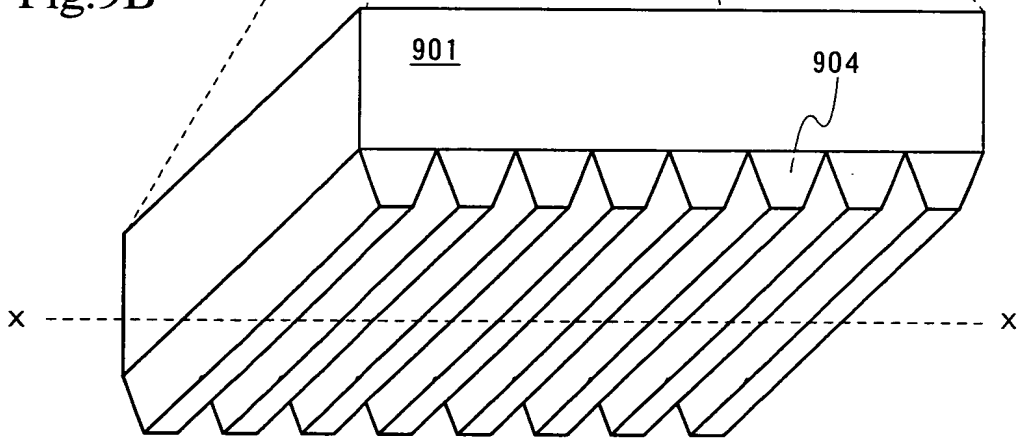


Fig.9C

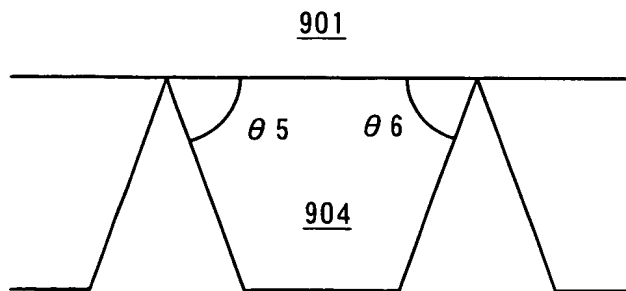


FIG. 9A

Fig.10A

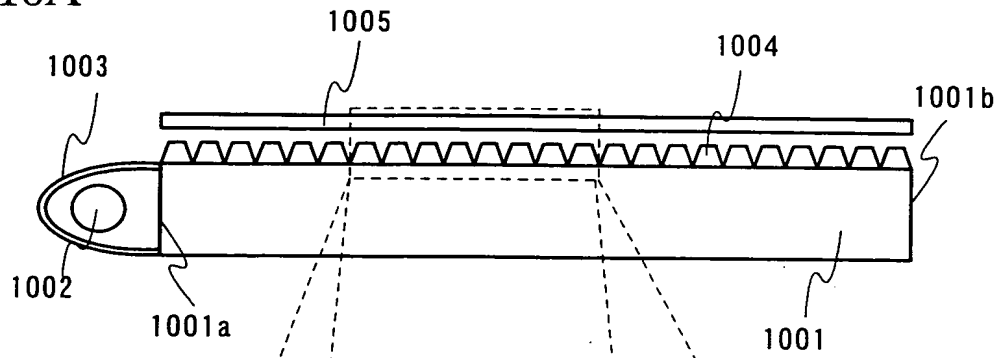


Fig.10B

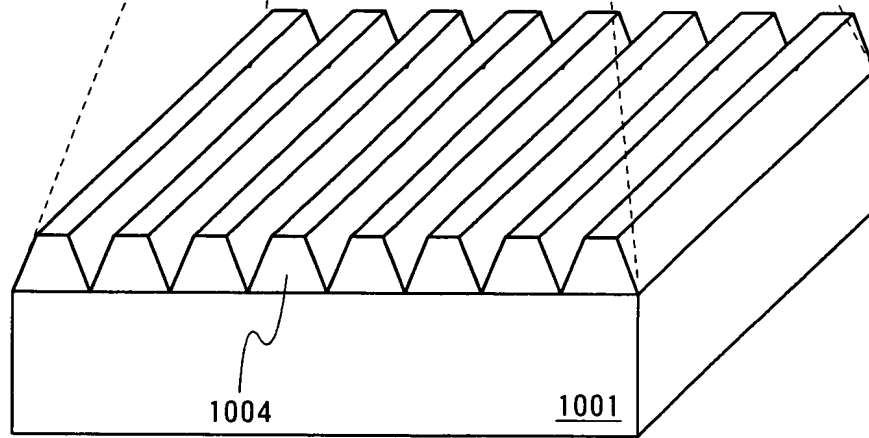


Fig.10C

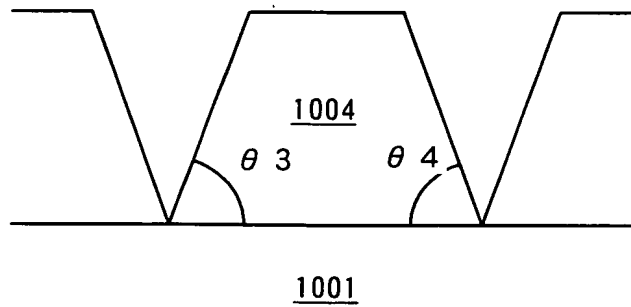


FIG. 10 FOR FIG. 10

Fig.11A

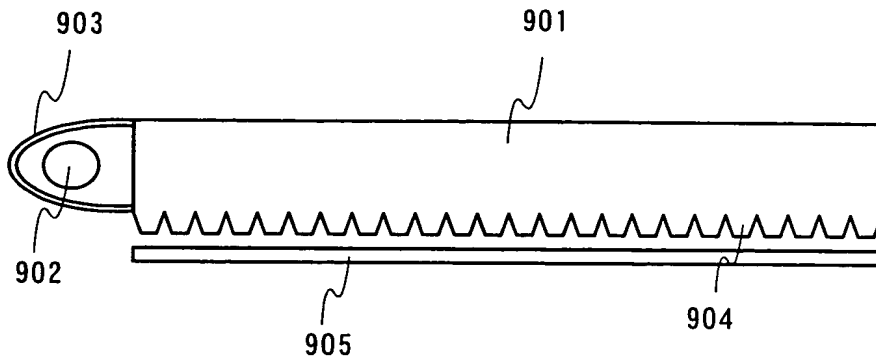


Fig.11B

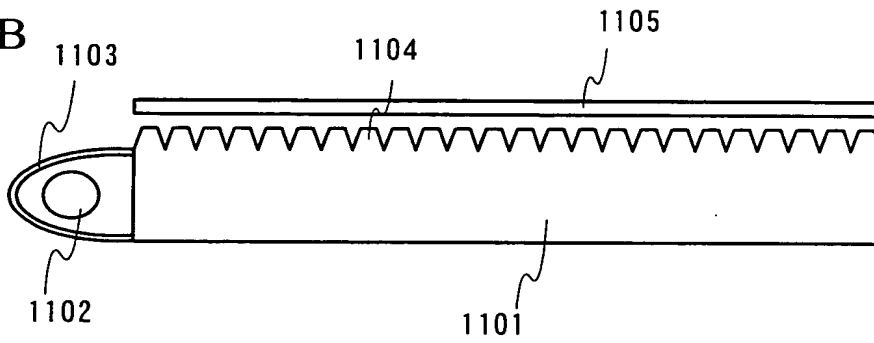


FIG. 11A

Fig.12A

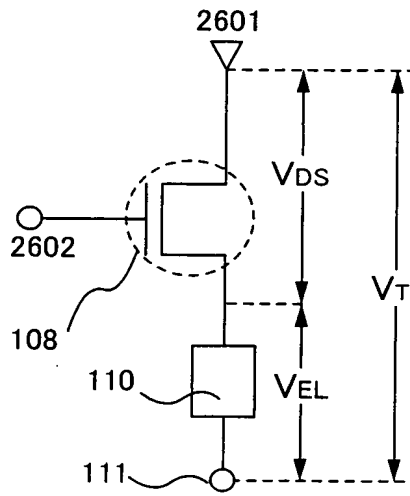


Fig.12B

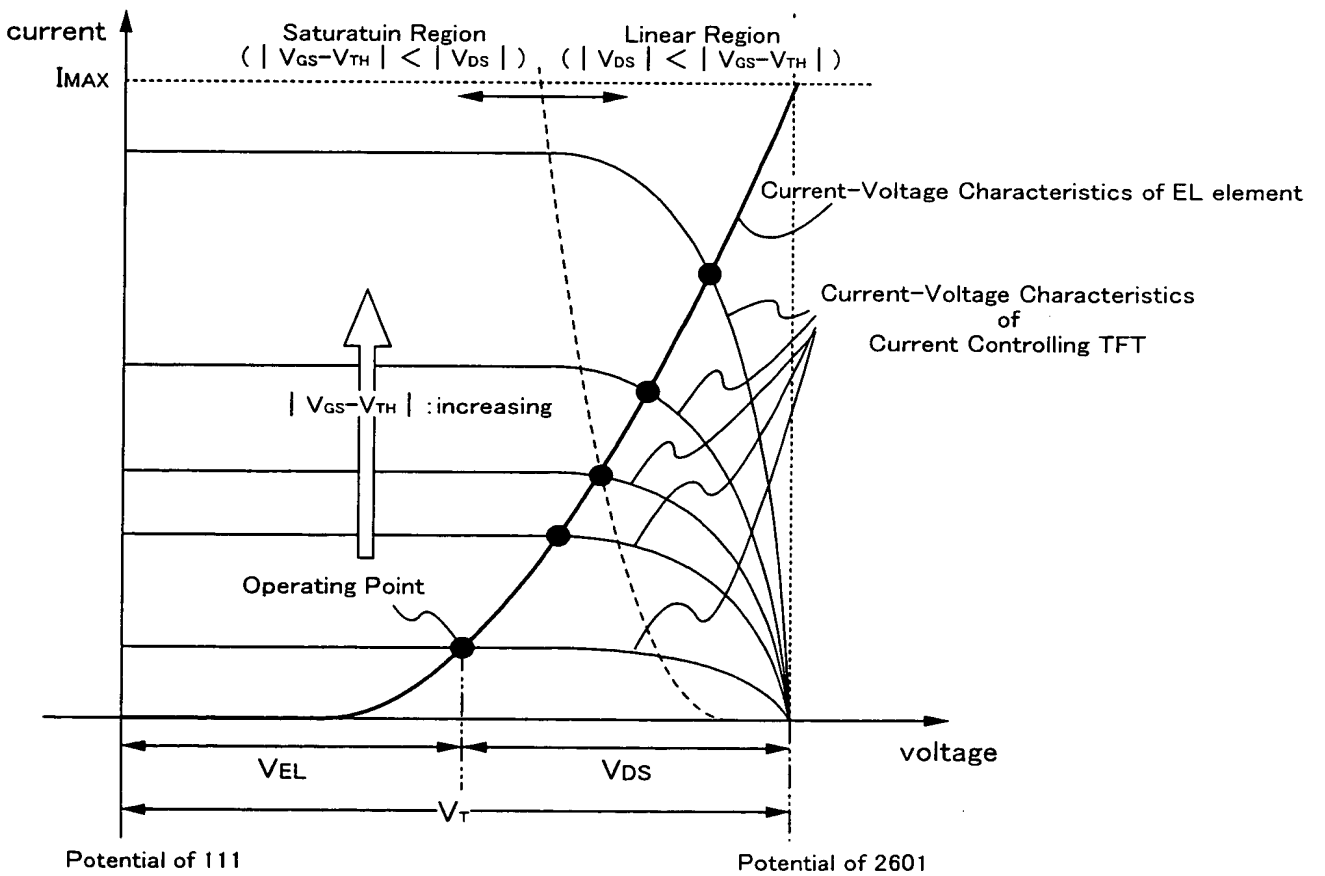
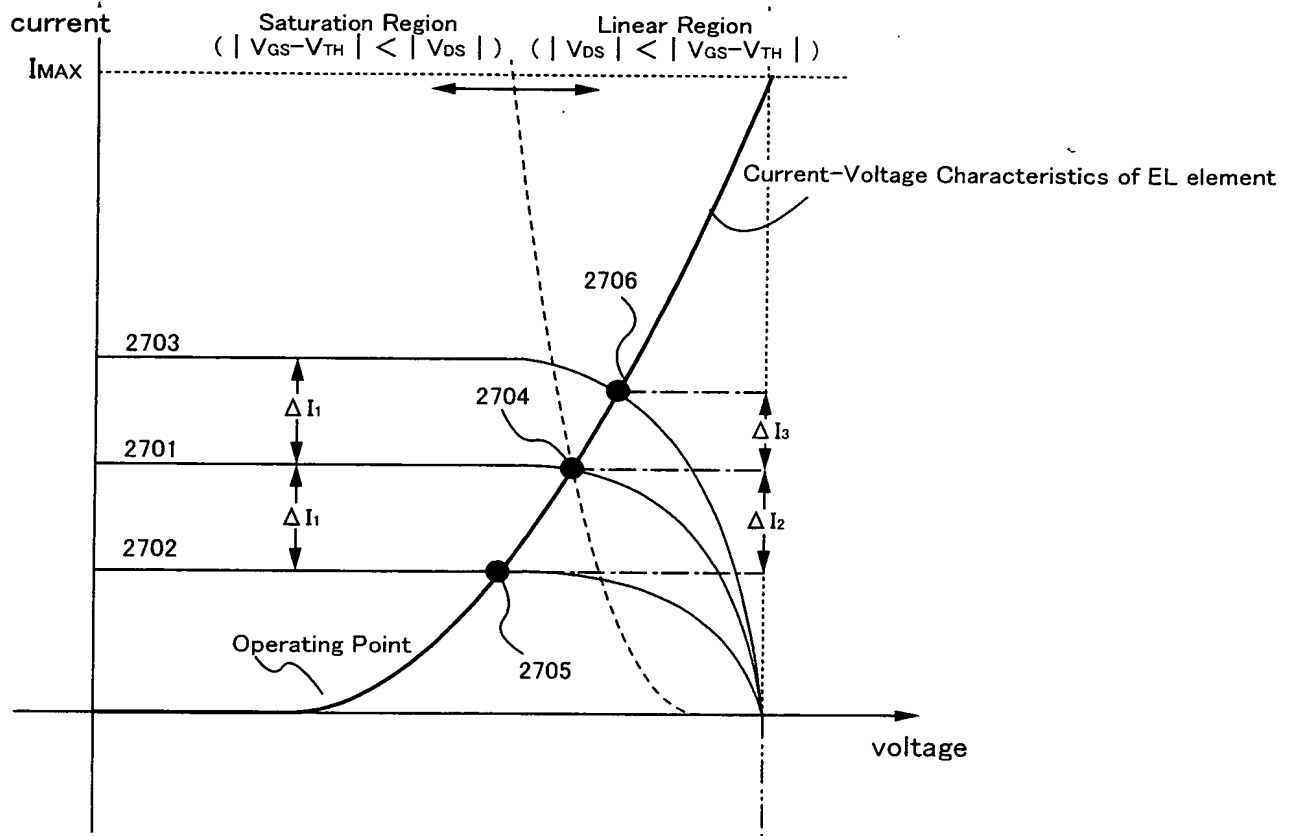
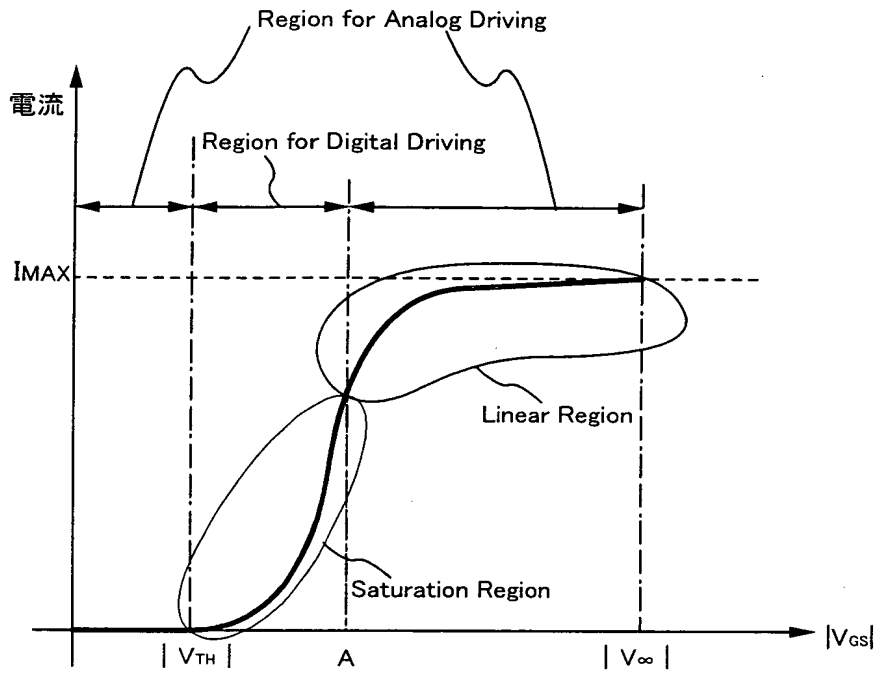


Fig.13



2025 RELEASE UNDER E.O. 14176

Fig.14



www.ck12.com

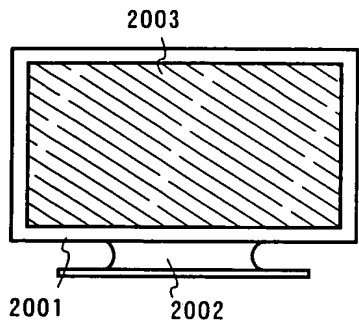


Fig. 15A

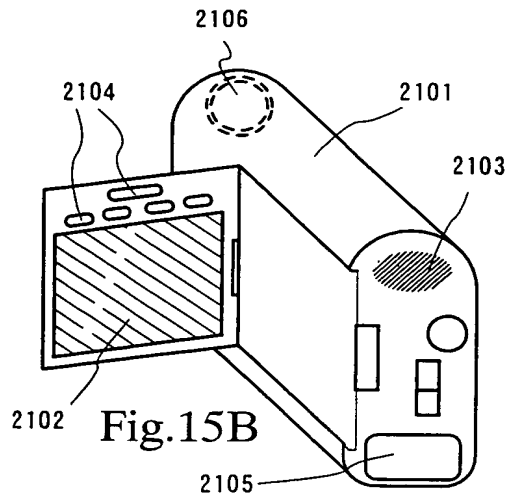


Fig. 15B

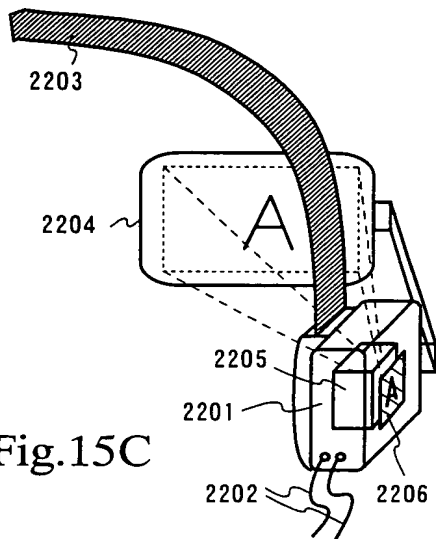


Fig. 15C

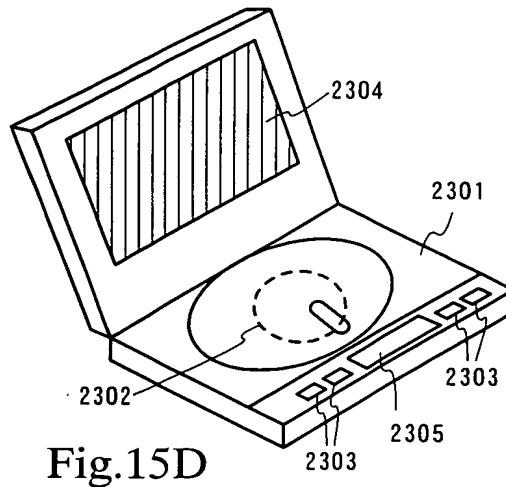


Fig. 15D

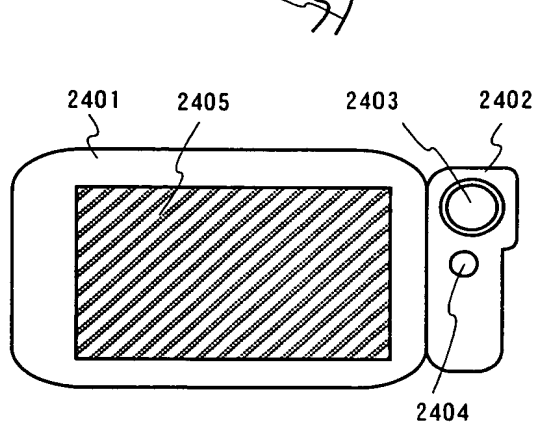


Fig. 15E

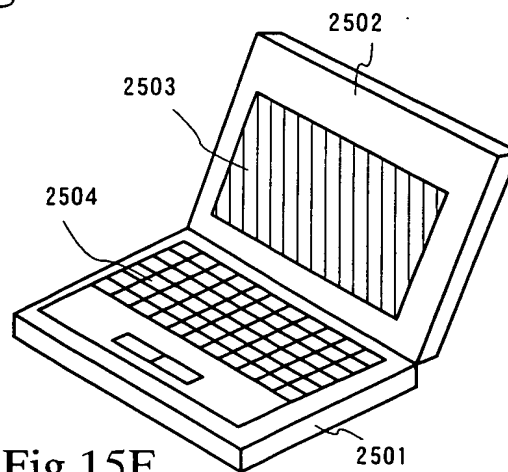


Fig. 15F

FOR OFFICE USE



FIG. 16A

Fig.16A

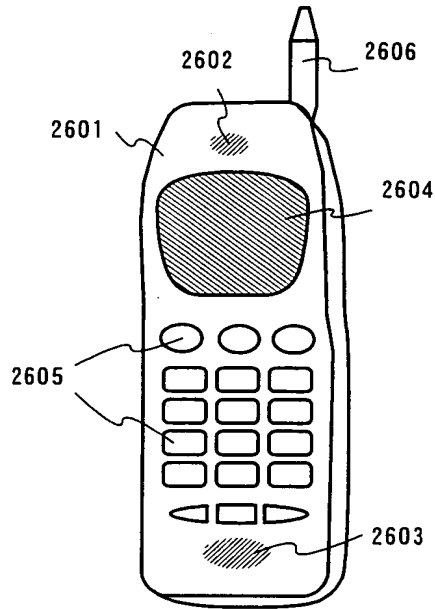


Fig.16B

